



Lille

Cordless hand blender

PN-B371



 OWNER'S MANUAL

Contents

Index

Safety instructions	3
Product overview	5
Intended use	6
Assembly/Disassembly	8
Cleaning	14
Warranty	16

Safety instructions

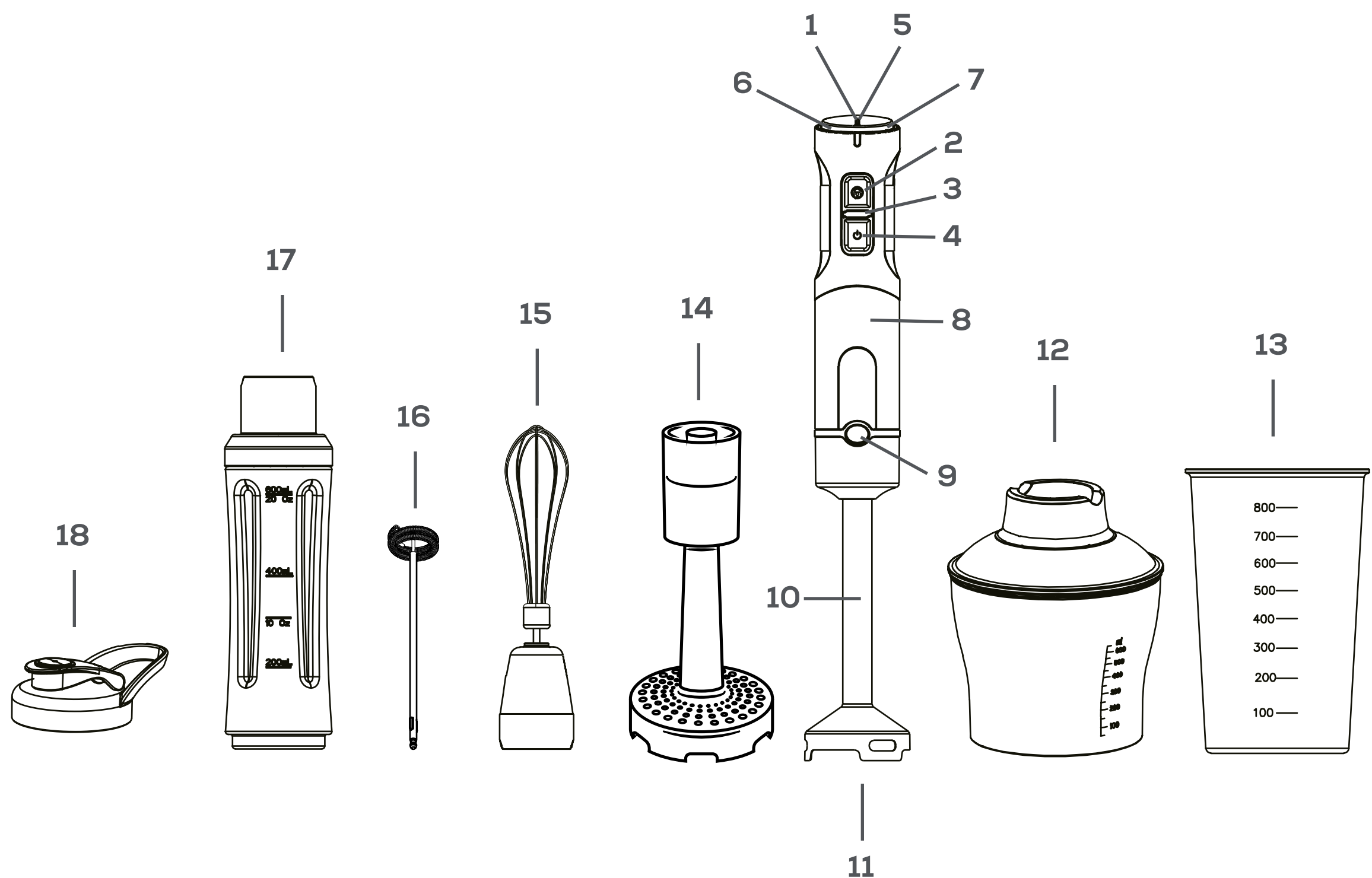
IMPORTANT:

Please, make sure you read the enclosed safety instructions provided separately before proceeding.

- Only use with a DC 5V/2A power supply unit.
- Select a charging location that avoids exposing the appliance to direct sunlight or other sources of heat.
- Never leave the battery unattended while charging.
- Always disconnect the charging cable from the appliance and unplug the power supply unit from the socket after charging.
- When using the appliance with hot food, be cautious of potential burns from hot splashes.
- Prior to turning on the appliance, immerse the blender rod in the food to prevent splashing.
- Avoid using this appliance to chop hard foods such as ice cubes, nutmeg, or large pieces of block chocolate, as this could damage the blades.
- Before pureeing, chop large pieces of solid food (maximum diameter 1.5 cm) and add a small amount of liquid.

- Short-time operation: do not use the
- appliance continuously for more than 2 minutes. Allow the appliance cool down approximately 3 minutes before resuming use.
- If the food is too solid, stop the process after 10 seconds. Reduce the food quantity and loosen solid components to prevent motor overheating.
- During assembly, exercise caution to avoid the risk of crushing your fingers.
- After releasing the push button, the motor will continue to run briefly. Wait for the blade to stop spinning in the blender head.
- Always ensure the appliance is not in standby mode to prevent unintentional activation and potential hazards.
- Keep the appliance out of reach of children. Cleaning and maintenance should not be performed by unsupervised children.
- Supervise the use of the appliance when it is being used near children or individuals with limited mobility.

Product overview



1. USB-C type charging socket
2. Safety switch
3. LED for status display
4. Push button ON/OFF
5. Variable speed control
6. Battery status indicator (Green LED)
7. Speed level indicator (Blue LED)
8. Motor housing
9. Release buttons
10. Blender rod
11. Blades
12. Chopper
13. Beaker
14. Purée accessory
15. Whisk
16. Milk frother
17. Sport bottle
18. Bottle lid

Intended use

This appliance has been specifically designed for the purpose of mixing, pureeing, chopping food, grinding meat, whipping egg whites, and mashing potatoes. It is particularly well-suited for tasks such as preparing mayonnaise, dips, sauces, soups, baby food, and milkshakes. The appliance is designed to handle standard household quantities of ingredients. Its usage is intended for household and similar domestic applications. It should only be operated following the instructions provided in this manual.

Using the appliance for commercial purposes is strictly prohibited. Any other usage beyond its intended purpose is considered inappropriate and may lead to damage to property or even personal injury. The manufacturer disclaims any responsibility for damage caused by improper utilization.

Operation

Meanings of the LED Status Indicators (3)

LED flashes red	During charging
LED lights up blue continuously	After charging
LED lights up blue for 7 seconds after pressing the safety switch twice	Standby status
LED flashes red for 7 seconds after pressing the safety switch twice	False start

Charging the built-in battery

To check the charge status of the rechargeable battery, follow these steps:

Press the safety switch (2) twice quickly.

If only one green LED lights up on the battery status indicator (6), the battery requires charging.

If two LEDs are illuminated, the battery's capacity is between 33% and 66%.

Please, note that operating the appliance while charging is not possible.

To charge the battery, proceed as follows:

1. Connect the charging cable to the USB-C port on the back of the appliance and the power supply unit.
2. Plug the power supply unit into an approved power outlet.
 - The LED (3) located under the safety switch will indicate the charging status.
 - The LED (3) will go out when you disconnect the mains plug from the socket.
 - It's normal for the appliance to generate heat during charging.
3. Stop charging after a maximum of 2.5 hours or when the LED (3) turns blue.

Assembly/Disassembly

Attach the accessories (10, 12, 14, 15, 16, 17)

Place the blending stick on the motor housing until it locks into place.

Remove the accessories (10, 12, 14, 15, 16, 17)

When disassembling, pull the accessories off the motor housing while pressing the two buttons (9).

Protection against unintentional switch-on:

The appliance features a safety switch (2). You can only use the appliance by pressing this safety switch twice in quick succession. The LED (3) indicates readiness for operation for 7 seconds. If the LED goes out, further operation is blocked.

Blender rod with blade:

1. Immerse the entire blender head into the foodstuff or beverage while holding the appliance vertically to prevent splashes.
2. Press the safety switch (2) twice quickly.
3. Grasp the handle with one hand so that you can press the push button (4) within 7 seconds to start.

When the LED (3) goes out, the appliance is no longer ready for operation. The process must be restarted.

4. With your other hand, adjust the variable speed control switch (5). The blue LED

indicates the speed level.

5. To achieve a pulse mode, press and release the push button in intervals.

6. Release the push button before removing the blender rod from the food.

Using the Beaker:

Do not fill the jar beyond 800 ml.

Using the Whisk:

1. Suitable for whipping soft ingredients like egg whites, cream, instant desserts, eggs, and sugar.

2. Do not attempt to whisk harder mixtures such as margarine, as it may damage the balloon whisk.

3. Assemble the whisk wire to the whisk attachment.

4. Fit the blender's handle inside the whisk attachment and lock it.

5. Place the food in the container.

6. Do not whisk more than 6 egg whites or 1000 ml of cream at the same time.

7. Do not whisk more than 6 egg whites or 1000 ml of cream simultaneously. Ensure no liquid gets above the whisks.

8. Press the safety switch (2) twice quickly, then press the push button (4) to start within 7 seconds.

Using Milk frother:

1. Assemble the milk frother to the whisk attachment.

Insert the motor unit into the hole of the Milk frother until you hear a click. To disassemble, press the release button on the motor unit.

2. Place milk into the cup; don't whisk more than 200ml.

3. Press the safety switch (2) twice quickly, then press the push button (4) to start within 7 seconds. You can adjust the variable speed control switch (5) for desired speed settings.

4. Stop the hand blender by releasing the push button switch.

Using the Chopper:

1. Suitable for mincing meat, cheese, vegetables, spices, bread, biscuits, and nuts.

2. Remove any bones from the ingredients and cut food into 1-2 cm thickness.

3. Assemble the mincing blade.

4. Place the food inside the container.

5. Replace the lid and turn it until you hear a click.
6. Place the blender handle and lock it.
7. Hold the container firmly and press the safety switch (2) twice quickly, then press the push button (4) to start within 7 seconds.
8. After use, release the push button, disassemble the parts, and wash them properly.

This data is approximate and depends on many different factors.

Comparative table

Food	Maximum amount (in grams)	Approximate time (in seconds)
Meat	250	10-15
Nuts	250	15
Cheese	250	15
Onion	250	10

Using the Purée accessory:

1. Place the food inside a blending jar or a sufficiently large mixing container.
2. Hold the container firmly and press the safety switch (2) twice quickly, then press the push button (4) to start within 7 seconds.
3. Select high speed on the speed-control dial.
4. Gently move the potato masher through the ingredients until the desired texture is achieved.
5. Turn the motor off by releasing the push button before removing the purée accessory from the container.

Using the Sport bottle:

1. Fill the bottle with the ingredients to be mixed (maximum 400 ml). Screw the blade securely to the bottle, ensuring correct positioning. Insert the motor unit into the hole of the portable bottle until you hear a click. To disassemble, press the release button on the motor unit.
2. Turn the bottle with the motor unit upside down. Start mixing by pressing the safety switch (2) twice quickly, then press the push button (4) to start within 7 seconds.
3. Press the push button in short intervals. The motor runs at the highest speed until the

button is released. When you release the push button, the motor stops immediately.

4. Press and hold the button in intervals of around 10 seconds. Release the button briefly and start again. Continue until you achieve the required consistency.

5. As the mixer works quickly, most ingredients are ready in under a minute. Work in short intervals, especially initially when you're not used to the appliance.

6. After use, release the push button and remove the motor unit from the connection by turning it. Unscrew the blade from the bottle and twist the lid securely onto the bottle opening.

Switching off

The appliance switches off when you release the push button.

Cleaning

WARNING:

- Always disconnect the accessories from the power supply unit before cleaning.
- Do not immerse the motor housing in water for cleaning, as it could cause an electric shock or fire.
- The blades of the blender rod are very sharp. Exercise caution.

CAUTION:

- Avoid using wire brushes or abrasive objects.
- Do not use sharp or abrasive cleaning agents.
- Do not use a dishwasher for cleaning.
- To pre-clean the blender rod, fill a container with hot water and operate the blender rod in it as described in "Operation."
- For thorough cleaning, separate the blender rod from the motor housing as described in "Assembly/Disassembly."
- The housing can be wiped with a slightly damp cloth. Clean the blender rod in warm rinsing water with a little hand dishwashing detergent. Dry the blending stick well afterward.

Storage

- Clean the appliance and allow it to dry completely.
- Store the appliance out of children's reach in a well-ventilated and dry place.
- The storage temperature should be between

10°C and 20°C.

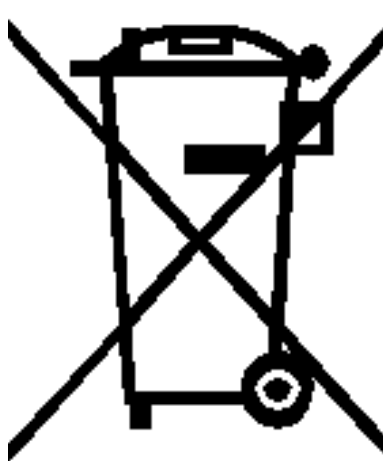
- It's recommended to store the appliance in its original packaging if not used for an extended period.
- Life of the rechargeable battery: even when switched off, the rechargeable battery discharges continuously. If the appliance is unused for a longer period, charge the rechargeable battery at least once every 4 to 6 weeks.

Disposal

Accumulator/Battery disposal



The appliance contains a rechargeable battery. Used batteries/accumulators (rechargeable batteries) should not be disposed of in household waste. Remove the rechargeable battery before disposing of the product. Contact qualified personnel for battery disposal. Information on proper disposal can be obtained from local authorities or municipal administrations. Retailers are also obligated to accept back batteries/accumulators free of charge.



This symbol on the product or in the instructions indicates that your electrical and electronic equipment should be disposed of separately from household waste. Recycling collection systems are available in the EU. For more information, contact local authorities or the retailer where you purchased the product.

Warranty

This product is covered by a one-year (1) warranty from the date of purchase, subject to proof of purchase, the product remaining in impeccable physical condition, and its use in accordance with the guidelines outlined in this instruction manual.

The warranty will not cover the following situations:

- Usage of the product for purposes other than those intended, misuse, physical damage, exposure to moisture, immersion in liquids or corrosive substances, or any other fault resulting from customer actions.
- Disassembly, modification, or repair of the product by unauthorized individuals not sanctioned by Peugeot Smart Living's authorized Technical Support Service.
- Defects arising from the natural wear and tear of components due to regular use.

The warranty service encompasses all manufacturing defects of your appliance for a period of one (1) year, as per current regulations, except for consumable parts. In the case of misuse, the warranty will not apply.

If you encounter any issues with your product or have questions, please don't hesitate to reach out to Peugeot Smart Living's Technical Support Service via our website:

www.peugeot-smartliving.com



Spirit of Ingenuity

www.peugeot-smartliving.com

The Peugeot logo is a trademark
of Etablissements Peugeot Frères SA.
Used under license.



Lille

Batidora de mano inalámbrica

PN-B371



Contenidos

Índice

Instrucciones de seguridad	3
Descripción general del producto	5
Uso previsto	6
Ensamblaje / Desmontaje	8
Limpieza	14
Garantía	16

Instrucciones de seguridad

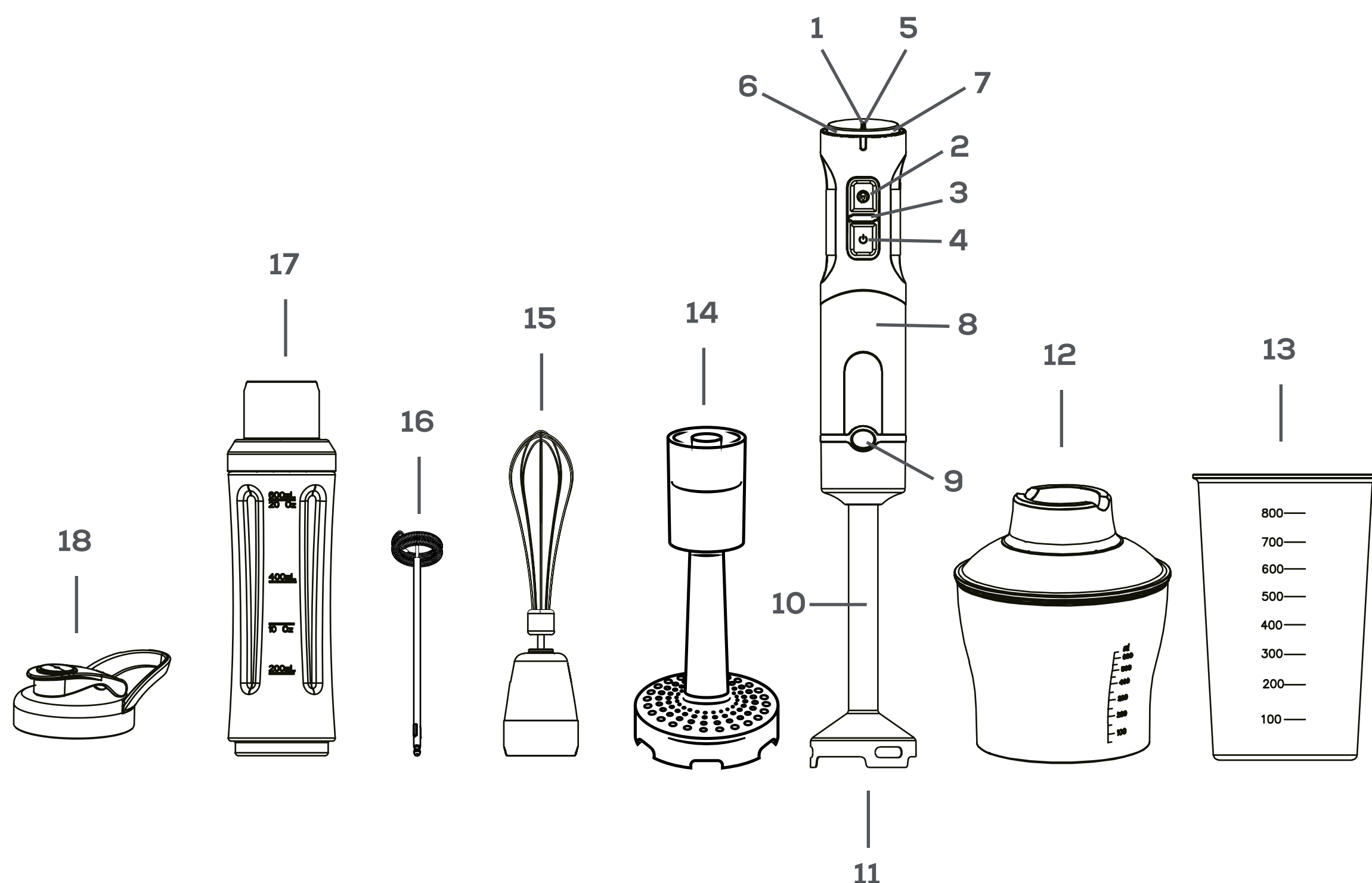
IMPORTANTE:

Por favor, asegúrese de leer las instrucciones de seguridad adjuntas proporcionadas por separado antes de continuar.

- Solo use con una unidad de suministro de energía de CC 5V/2A.
- Seleccione un lugar de carga que evite exponer el aparato a la luz solar directa u otras fuentes de calor.
- Nunca deje la batería desatendida mientras se carga.
- Siempre desconecte el cable de carga del aparato y desenchufe la unidad de suministro de energía del enchufe después de cargar.
- Al usar el aparato con comida caliente, tenga cuidado con posibles quemaduras por salpicaduras calientes.
- Antes de encender el aparato, sumerja la varilla de la batidora en la comida para evitar salpicaduras.
- Evite usar este aparato para picar alimentos duros como cubos de hielo, nuez moscada o trozos grandes de chocolate en barra, ya que esto podría dañar las cuchillas.

- Antes de hacer puré, pique grandes trozos de alimentos sólidos (diámetro máximo de 1,5 cm) y agregue una pequeña cantidad de líquido.
- Operación de corta duración: No utilice el aparato de forma continua durante más de 2 minutos. Permita que el aparato se enfríe aproximadamente 3 minutos antes de retomar su uso.
- Si la comida está demasiado sólida, detenga el proceso después de 10 segundos. Reduzca la cantidad de comida y afloje los componentes sólidos para evitar el sobrecalentamiento del motor.
- Durante el ensamblaje, tenga cuidado para evitar el riesgo de aplastar los dedos. Después de soltar el botón de encendido, el motor seguirá funcionando brevemente.
- Siempre asegúrese de que el aparato no esté en modo de espera para evitar la activación involuntaria y posibles peligros.
- Mantenga el aparato fuera del alcance de los niños. La limpieza y el mantenimiento no deben ser realizados por niños sin supervisión.
- Supervise el uso del aparato cuando se utilice cerca de niños o personas con movilidad limitada.

Descripción general del producto



1. Enchufe de carga tipo USB-C
2. Interruptor de seguridad
3. LED para visualización de estado
4. Pulsador de encendido/apagado
5. Control de velocidad variable
6. Indicador de estado de la batería (LED verde)
7. Indicador de nivel de velocidad (LED azul)
8. Carcasa del motor
9. Botones de liberación
10. Soporte batidor
11. Cuchillas
12. Picador
13. Vaso medidor
14. Accesorio para puré
15. Batidor
16. Espumador de leche
17. Botella portátil
18. Tapa de botella

Uso previsto

Este electrodoméstico ha sido especialmente diseñado para mezclar, hacer puré, picar alimentos, moler carne, batir claras de huevo y hacer puré de papas. Es especialmente adecuado para tareas como preparar mayonesa, salsas, sopas, alimentos para bebés y batidos de leche. El electrodoméstico está diseñado para manejar cantidades estándar de ingredientes domésticos. Su uso está destinado a aplicaciones domésticas y similares. Solo debe ser operado siguiendo las instrucciones proporcionadas en este manual.

Está estrictamente prohibido utilizar el aparato con fines comerciales. Cualquier otro uso fuera de su propósito previsto se considera inapropiado y puede causar daños materiales o incluso lesiones personales. El fabricante no se hace responsable de los daños causados por un uso indebido.

Operación

Significados de los indicadores LED de estado (3)

Luces LED Rojas intermitente	Durante la carga
Luces LED se encienden en azul de forma continua.	Después de la carga
Luces LED se encienden de color azul durante 7 segundos después de presionar el interruptor de seguridad dos veces.	Estado de espera
Luces LED parpadean de color rojo durante 7 segundos después de presionar el interruptor de seguridad dos veces.	Falsa partida

Cargar la batería interna

Para verificar el estado de carga de la batería recargable, siga estos pasos:

Presione el interruptor de seguridad (2) dos veces rápidamente.

Si solo se enciende un LED verde en el indicador de estado de la batería (6), la batería requiere carga.

Si se iluminan dos LEDs, la capacidad de la batería está entre el 33% y el 66%.

Tenga en cuenta que no es posible operar el electrodoméstico mientras se carga.

Para cargar la batería, proceda de la siguiente manera:

1. Conecte el cable de carga al puerto USB-C en la parte trasera del electrodoméstico y a la unidad de alimentación.

2. Enchufe la unidad de alimentación en un enchufe de alimentación aprobado.

- El LED (3) ubicado debajo del interruptor de seguridad indicará el estado de carga.

- El LED (3) se apagará cuando desconecte el enchufe de la corriente del enchufe.

- Es normal que el electrodoméstico genere calor durante la carga.

3. Detenga la carga después de un máximo de 2.5 horas o cuando el LED (3) se vuelva azul.

Ensamblaje/Desmontaje

Coloque los accesorios (10, 12, 14, 15, 16, 17).

Coloque la varilla de mezcla en la carcasa del motor hasta que se bloquee.

Retire los accesorios (10, 12, 14, 15, 16, 17).

Al desmontar, retire los accesorios de la carcasa del motor mientras presiona los dos botones (9).

Protección contra el encendido accidental:

El electrodoméstico cuenta con un interruptor de seguridad (2). Solo puede utilizar el electrodoméstico presionando este interruptor de seguridad dos veces rápidamente. El LED (3) indica la disponibilidad para el funcionamiento durante 7 segundos. Si el LED se apaga, el funcionamiento adicional está bloqueado.

Cuerpo del batidor con cuchilla:

1. Sumerja toda la cabeza de la batidora en la comida o bebida mientras sostiene el electrodoméstico verticalmente para evitar salpicaduras.

2. Presione el interruptor de seguridad (2) dos veces rápidamente.

3. Agarre el mango con una mano para que pueda presionar el botón de empuje (4) dentro de los 7 segundos para comenzar.

Cuando el LED (3) se apague, el electrodoméstico ya no está listo para usar. El proceso debe reiniciarse.

4. Con la otra mano, ajuste el interruptor de control de velocidad variable (5). El LED azul indica el nivel de velocidad.

5. Para lograr el modo de pulso, presione y suelte el botón de empuje en intervalos.

6. Suelte el botón de empuje antes de retirar la varilla de la batidora de la comida.

Utilizar el recipiente medidor:

No llene el recipiente más allá de 800 ml.

Utilizar el batidor:

1. Adecuada para batir ingredientes suaves como claras de huevo, crema, postres instantáneos, huevos y azúcar.

2. No intente batir mezclas más duras como margarina, ya que podría dañar la varilla batidora.

3. Ensamble el alambre de la varilla al accesorio batidor.

4. Ajuste el mango de la batidora dentro del accesorio batidor y bloquéelo.

5. Coloque los alimentos en el recipiente

6. No batir más de 6 claras de huevo o 1000 ml de crema al mismo tiempo

7. Asegúrese de que ningún líquido llegue por

encima de la varilla.

8. Presione el interruptor de seguridad (2) dos veces rápidamente, luego presione el botón de empuje (4) para comenzar dentro de los 7 segundos.

Utilizar el Espumador de Leche:

1. Ensamble el espumador de leche al accesorio batidor.

2. Inserte la unidad del motor en el agujero del espumador de leche hasta que escuche un clic. Para desmontar, presione el botón de liberación en la unidad del motor.

3. Coloque la leche en la taza; no batir más de 200 ml.

4. Presione el interruptor de seguridad (2) dos veces rápidamente, luego presione el botón de empuje (4) para comenzar dentro de los 7 segundos. Puede ajustar el interruptor de control de velocidad variable (5) para los ajustes de velocidad deseados.

5. Detenga la batidora de mano soltando el interruptor de botón de empuje.

Utilizar el picador:

1. Adecuado para picar carne, queso, verduras, especias, pan, galletas y nueces.

2. Retire cualquier hueso de los ingredientes y

corte los alimentos en un grosor de 1-2 cm.

3. Ensamble la cuchilla picadora.

4. Coloque los alimentos dentro del recipiente.

5. Reemplace la tapa y gírela hasta que escuche un clic.

6. Coloque el mango de la batidora y bloquéelo.

7. Sostenga firmemente el recipiente y presione el interruptor de seguridad (2) dos veces rápidamente, luego presione el botón de empuje (4) para comenzar dentro de los 7 segundos.

8. Después de usar, suelte el botón de empuje, desmonte las partes y lávelas correctamente.

Esta información es aproximada y depende de muchos factores diferentes.

Tabla comparativa

Alimento	Cantidad máxima (en gramos)	Tiempo aproximado (en segundos)
Carne	250	10-15
Nueces	250	15
Queso	250	15
Cebolla	250	10

Utilizar el accesorio de puré:

1. Coloque los alimentos dentro de un recipiente de mezcla o un recipiente lo suficientemente grande
2. Sujete el recipiente firmemente y presione el interruptor de seguridad (2) dos veces rápidamente, luego presione el botón de empuje (4) para comenzar dentro de los 7 segundos.
3. Seleccione la velocidad alta en el dial de control de velocidad.
4. Mueva suavemente el pasapurés a través de los ingredientes hasta obtener la textura deseada.
5. Apague el motor soltando el botón de empuje antes de retirar el accesorio de puré del recipiente.

Utilizar la botella deportiva:

1. Coloque los alimentos dentro del recipiente para mezclar (máximo 400 ml). Enrosque la cuchilla firmemente en el recipiente, asegurándose de su correcta posición. Inserte la unidad del motor en el agujero del recipiente portátil hasta que escuche un clic. Para desmontarlo, presione el botón de liberación en la unidad del motor
2. Gire el recipiente con la unidad del motor boca abajo. Comience a mezclar presionando

el interruptor de seguridad (2) dos veces rápidamente, luego presione el botón de empuje (4) para comenzar dentro de los 7 segundos.

3. Presione el botón de empuje en intervalos cortos. El motor funciona a la velocidad más alta hasta que se suelta el botón. Cuando suelte el botón de empuje, el motor se detiene inmediatamente.

4. Presione y mantenga presionado el botón en intervalos de aproximadamente 10 segundos. Suéltelo brevemente y comience de nuevo. Continúe hasta lograr la consistencia deseada.

5. Como la batidora funciona rápidamente, la mayoría de los ingredientes estarán listos en menos de un minuto. Trabaje en intervalos cortos, especialmente al principio cuando no esté acostumbrado al electrodoméstico.

6. Después de usarlo, suelte el botón de empuje y retire la unidad del motor de la conexión girándola. Desenrosque la cuchilla del recipiente y gire la tapa firmemente en la abertura del recipiente.

Apagar

El aparato se apaga cuando sueltas el botón de empuje.

Limpieza

ADVERTENCIA:

- Siempre desconecte los accesorios de la unidad de suministro de energía antes de limpiar.
- No sumerja la carcasa del motor en agua para limpiarla, ya que podría causar una descarga eléctrica o incendio.
- Las cuchillas de la varilla de la licuadora son muy afiladas. Tenga precaución.

PRECAUCIÓN:

- Evite usar cepillos de alambre u objetos abrasivos
- No use agentes de limpieza afilados o abrasivos. No use el lavavajillas para la limpieza.
- Para pre-limpiar la varilla de la licuadora, llene un recipiente con agua caliente y haga funcionar la varilla de la licuadora en él como se describe en "Operación".
- Para una limpieza a fondo, separe la varilla de la licuadora de la carcasa del motor como se describe en "Ensamblaje/Desmontaje".
- La carcasa se puede limpiar con un paño ligeramente húmedo. Limpie la varilla de la licuadora en agua de enjuague tibia con un poco de detergente para lavar a mano. Luego seque bien la varilla de la licuadora.

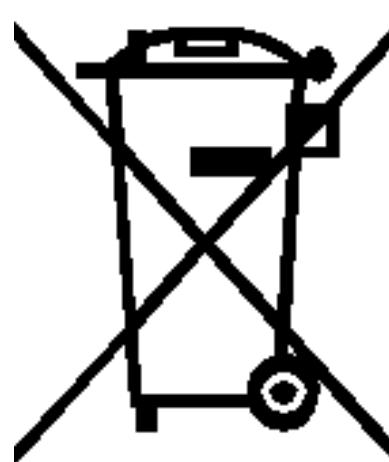
Almacenamiento

- Limpie el aparato y permita que se seque completamente.
- Almacene el aparato fuera del alcance de los niños en un lugar bien ventilado y seco.
- La temperatura de almacenamiento debe estar entre 10°C y 20°C.
- Se recomienda almacenar el aparato en su embalaje original si no se utiliza durante un período prolongado.
- Vida de la batería recargable: Incluso cuando está apagada, la batería recargable se descarga continuamente. Si el aparato no se usa durante un período prolongado, cargue la batería recargable al menos una vez cada 4 a 6 semanas.

Eliminación de la batería/residuos



El aparato contiene una batería recargable. Las baterías/acumuladores usados (baterías recargables) no deben desecharse en la basura doméstica. Retire la batería recargable antes de desechar el producto. Contacte a personal cualificado para la eliminación de baterías. Puede obtener información sobre la eliminación adecuada de baterías de las autoridades locales o administraciones municipales. Los minoristas también están obligados a aceptar baterías/acumuladores de forma gratuita.



Este símbolo en el producto o en las instrucciones indica que los equipos eléctricos y electrónicos deben ser desechados por separado de los residuos domésticos. Existen sistemas de recogida y reciclaje disponibles en la UE. Para más información, contacte a las autoridades locales o al minorista donde compró el producto.

Garantía

Este producto tiene garantía por un (1) año a partir de la fecha de compra, siempre y cuando se presente el comprobante de compra, el producto se encuentre en perfectas condiciones físicas y se le haya dado el uso adecuado, como se explica en este manual de instrucciones.

La garantía no cubrirá las siguientes situaciones:

- El producto haya sido utilizado para fines distintos a los previstos para el mismo, mal utilizado, golpeado, expuesto a la humedad, sumergido en líquidos o sustancias corrosivas, así como cualquier otro defecto imputable al cliente.
- El producto ha sido desmontado, modificado o reparado por personas no autorizadas por el Servicio de Asistencia Técnica autorizado de Peugeot Smart Living.
- Defectos derivados del desgaste normal de sus partes, debido al uso.

El servicio de garantía cubre todos los defectos de fabricación de su electrodoméstico durante 1 año, en base a la legislación vigente, excepto las piezas consumibles. En caso de mal uso, la garantía no se aplicará.

Si en algún momento detecta algún problema con su producto o tiene alguna duda, no dude en ponerse en contacto con el Servicio de Asistencia Técnica Peugeot Smart Living en nuestra web:

www.peugeot-smartliving.com



Spirit of Ingenuity

www.peugeot-smartliving.com

The Peugeot logo is a trademark
of Etablissements Peugeot Frères SA.
Used under license.